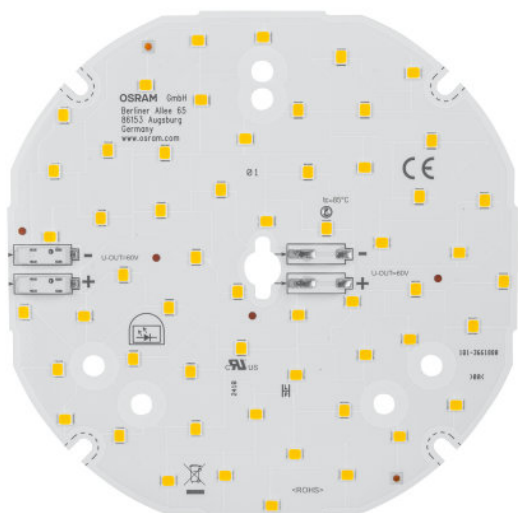


## PrevaLED Disc

Spot-, Down- and Wallmount Light Engines and Modules



### Areas of application

- Hospitality, hotels, restaurants
- Public and commercial buildings
- Offices
- Secondary rooms, garages, storerooms, cellars

### Product family benefits

- Enables high-quality downlight designs with low glare
- Easy and quick design-in
- 5 years system guarantee

### Product family features

- Consistent white light: < 3 SDCM
- Available with color temperature: 3,000 K, 4,000 K
- LED module is basic isolated to mounting surface
- Photobiological safety according to IEC/TR 62778, risk group RG1
- Max. ambient temperature: +40°C/104°F
- Max. working voltage: 60 V (to be operated only on SELV LED control gear)



## Product family datasheet

### Technical data

#### Electrical data

Product description	Type of current	Nominal wattage	Rated wattage	Nominal current	Nominal voltage
PL-DISC-G1 1100-830 <sup>1)</sup>	DC				
PL-DISC-G1 1600-830 <sup>1)</sup>	DC				
PL-DISC-G1 2500-830 <sup>1)</sup>	DC	16.10 W	16.10 W	0.492 A	32.7 V
PL-DISC-G1 1100-840 <sup>1)</sup>	DC	6.40 W	6.40 W	0.185 A	34.8 V
PL-DISC-G1 1600-840 <sup>1)</sup>	DC	9.40 W	9.40 W	0.25 A	37.5 V
PL-DISC-G1 2500-840 <sup>1)</sup>	DC	15.20 W	15.20 W	0.465 A	32.6 V
PL-DISC-G1 1100-927 <sup>1)</sup>	DC				
PL-DISC-G1 1600-927 <sup>1)</sup>	DC	13.10 W	13.10 W	0.332 A	39.5 V
PL-DISC-G1 2500-927 <sup>1)</sup>	DC	21.30 W	21.30 W	0.619 A	34.5 V

<sup>1)</sup> See product remark

#### Photometrical data

Product description	Luminous efficacy	Total useful luminous flux	Standard deviation of color matching
PL-DISC-G1 1100-830 <sup>1)</sup>	162 lm/W		
PL-DISC-G1 1600-830 <sup>1)</sup>	162 lm/W		
PL-DISC-G1 2500-830 <sup>1)</sup>	155 lm/W	2500 lm	≤3 sdc
PL-DISC-G1 1100-840 <sup>1)</sup>	172 lm/W	1100 lm	≤3 sdc
PL-DISC-G1 1600-840 <sup>1)</sup>	170 lm/W	1600 lm	≤3 sdc
PL-DISC-G1 2500-840 <sup>1)</sup>	164 lm/W	2500 lm	≤3 sdc
PL-DISC-G1 1100-927 <sup>1)</sup>	122 lm/W		
PL-DISC-G1 1600-927 <sup>1)</sup>	122 lm/W	1600 lm	≤3 sdc
PL-DISC-G1 2500-927 <sup>1)</sup>	117 lm/W	2500 lm	≤3 sdc

<sup>1)</sup> See product remark

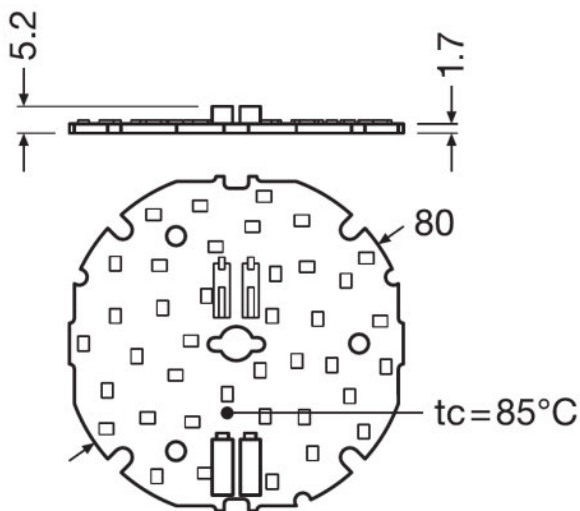
# Product family datasheet

## Dimensions & weight

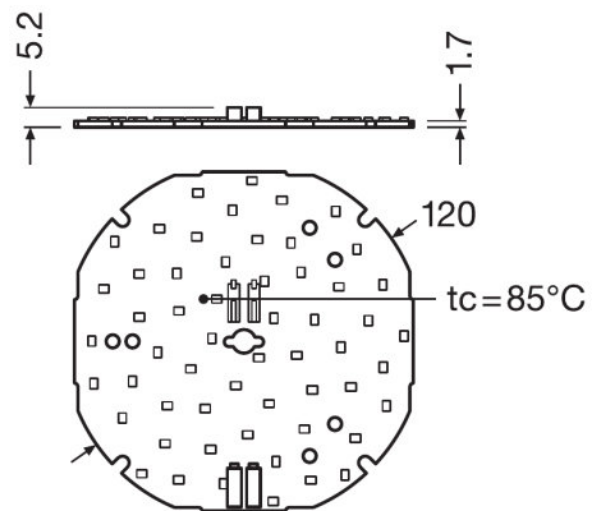
Product description	Rated width	Construction length	Rated height	Product weight
PL-DISC-G1 1100-830 <sup>1)</sup>				
PL-DISC-G1 1600-830 <sup>1)</sup>				
PL-DISC-G1 2500-830 <sup>1)</sup>	164.5 mm	164.5 mm	5.20 mm	77.00 g
PL-DISC-G1 1100-840 <sup>1)</sup>	80.0 mm	80.0 mm	5.20 mm	19.00 g
PL-DISC-G1 1600-840 <sup>1)</sup>	120.0 mm	120.0 mm	5.20 mm	41.00 g
PL-DISC-G1 2500-840 <sup>1)</sup>	164.5 mm	164.5 mm	5.20 mm	77.00 g
PL-DISC-G1 1100-927 <sup>1)</sup>				
PL-DISC-G1 1600-927 <sup>1)</sup>	120.0 mm	120.0 mm	5.20 mm	41.00 g
PL-DISC-G1 2500-927 <sup>1)</sup>	164.5 mm	164.5 mm	5.20 mm	77.00 g

<sup>1)</sup> See product remark

## Product line drawing

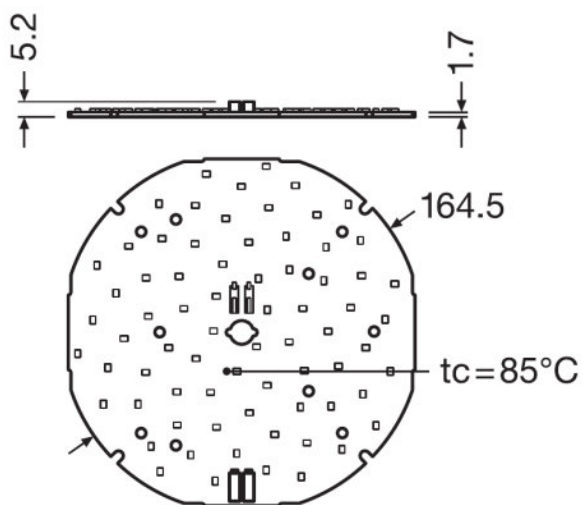


PL-DISC-G1 1100-830, PL-DISC-G1 1100-840, PL-DISC-G1 1100-927



PL-DISC-G1 1600-830, PL-DISC-G1 1600-840, PL-DISC-G1 1600-927

## Product family datasheet



PL-DISC-G1 2500-830, PL-DISC-G1 2500-840, PL-DISC-G1 2500-927

### Temperatures & operating conditions

Product description	Performance temp. acc. to IEC 62717	Maximum temperature at tc test point	Ambient temperature range	Temperature range at storage
PL-DISC-G1 1100-830 <sup>1)</sup>	65 °C	85 °C	-20...+50 °C	-35...85 °C
PL-DISC-G1 1600-830 <sup>1)</sup>	65 °C	85 °C	-20...+50 °C	-35...85 °C
PL-DISC-G1 2500-830 <sup>1)</sup>	65 °C	85 °C	-20...+50 °C	-35...85 °C
PL-DISC-G1 1100-840 <sup>1)</sup>	65 °C	85 °C	-20...+50 °C	-35...85 °C
PL-DISC-G1 1600-840 <sup>1)</sup>	65 °C	85 °C	-20...+50 °C	-35...85 °C
PL-DISC-G1 2500-840 <sup>1)</sup>	65 °C	85 °C	-20...+50 °C	-35...85 °C
PL-DISC-G1 1100-927 <sup>1)</sup>	65 °C	85 °C	-20...+50 °C	-35...85 °C
PL-DISC-G1 1600-927 <sup>1)</sup>	65 °C	85 °C	-20...+50 °C	-35...85 °C
PL-DISC-G1 2500-927 <sup>1)</sup>	65 °C	85 °C	-20...+50 °C	-35...85 °C

<sup>1)</sup> See product remark

## Product family datasheet

### Lifespan

Product description	Lifespan	Lumen main. fact. at end of nom. life time	Nominal lamp life time	Rated lamp life time	Number of switching cycles
PL-DISC-G1 1100-830 <sup>1)</sup>	50000 h				
PL-DISC-G1 1600-830 <sup>1)</sup>	50000 h				
PL-DISC-G1 2500-830 <sup>1)</sup>	50000 h	0.80	50000 h	50000 h	100000
PL-DISC-G1 1100-840 <sup>1)</sup>	50000 h	0.80	50000 h	50000 h	100000
PL-DISC-G1 1600-840 <sup>1)</sup>	50000 h	0.80	50000 h	50000 h	100000
PL-DISC-G1 2500-840 <sup>1)</sup>	50000 h	0.80	50000 h	50000 h	100000
PL-DISC-G1 1100-927 <sup>1)</sup>	50000 h				
PL-DISC-G1 1600-927 <sup>1)</sup>	50000 h	0.80	50000 h	50000 h	100000
PL-DISC-G1 2500-927 <sup>1)</sup>	50000 h	0.80	50000 h	50000 h	100000

<sup>1)</sup> See product remark

### Additional product data

Product description	Maximum thermal load
PL-DISC-G1 1100-830 <sup>1)</sup>	not applicable W
PL-DISC-G1 1600-830 <sup>1)</sup>	not applicable W
PL-DISC-G1 2500-830 <sup>1)</sup>	not applicable W
PL-DISC-G1 1100-840 <sup>1)</sup>	not applicable W
PL-DISC-G1 1600-840 <sup>1)</sup>	not applicable W
PL-DISC-G1 2500-840 <sup>1)</sup>	not applicable W
PL-DISC-G1 1100-927 <sup>1)</sup>	not applicable W
PL-DISC-G1 1600-927 <sup>1)</sup>	not applicable W
PL-DISC-G1 2500-927 <sup>1)</sup>	not applicable W

<sup>1)</sup> See product remark

### Capabilities

Product description	Dimmable
PL-DISC-G1 1100-830 <sup>1)</sup>	Yes
PL-DISC-G1 1600-830 <sup>1)</sup>	Yes
PL-DISC-G1 2500-830 <sup>1)</sup>	Yes
PL-DISC-G1 1100-840 <sup>1)</sup>	Yes
PL-DISC-G1 1600-840 <sup>1)</sup>	Yes
PL-DISC-G1 2500-840 <sup>1)</sup>	Yes
PL-DISC-G1 1100-927 <sup>1)</sup>	Yes
PL-DISC-G1 1600-927 <sup>1)</sup>	Yes
PL-DISC-G1 2500-927 <sup>1)</sup>	Yes

<sup>1)</sup> See product remark

## Product family datasheet

### Certificates & standards

Product description	Standards	Energy consumption	Energy efficiency class
PL-DISC-G1 1100-830 <sup>1)</sup>	CE/ENEC		
PL-DISC-G1 1600-830 <sup>1)</sup>	CE/ENEC		
PL-DISC-G1 2500-830 <sup>1)</sup>	CE/ENEC	17 kWh/1000h	A++
PL-DISC-G1 1100-840 <sup>1)</sup>	CE/ENEC	7 kWh/1000h	A++
PL-DISC-G1 1600-840 <sup>1)</sup>	CE/ENEC	10 kWh/1000h	A++
PL-DISC-G1 2500-840 <sup>1)</sup>	CE/ENEC	16 kWh/1000h	A++
PL-DISC-G1 1100-927 <sup>1)</sup>	CE/ENEC		
PL-DISC-G1 1600-927 <sup>1)</sup>	CE/ENEC	14 kWh/1000h	A++
PL-DISC-G1 2500-927 <sup>1)</sup>	CE/ENEC	22 kWh/1000h	A++

<sup>1)</sup> See product remark

### Product remark

Modules perfectly matched to OSRAM OPTOTRONIC LED drivers (see relevant table)/For current photometric data and important safety, installation and application information (see [www.osram.com/led-systems](http://www.osram.com/led-systems)),/All the technical parameters apply to the entire module. In view of the complex manufacturing process for light emitting diodes, the typical values given above for the technical LED parameters are merely statistical values that do not necessarily correspond to the actual technical parameters of an individual product; individual products may vary from the typical values/Tolerance for optical and electrical data: +/-10%





### Application advice

For more detailed application information and graphics please see product datasheet.






### Sales and Technical Support

Sales and Technical Support [www.osram.com](http://www.osram.com)

### Download Data

File
 Brochures Light is versatile - LED modules for downlights (DE)
 Certificates PL ENEC 40031612 250920
 Declarations of conformity CED PL-DISC-G1 9C1-3699778--EN-00 2018-08
 CAD data 3-dim DISC G1 1100 CAD3PDF 040719

## Product family datasheet

	CAD data PDF DISC G1 1100 CADPDF 170719
	CAD data 3-dim DISC 1600 G1 CAD3PDF 040719
	CAD data PDF DISC 1600 G1 CADPDF 040719
	CAD data 3-dim PL DISC G1 2500 CAD3PDF 040719
	CAD data PDF PL DISC G1 2500 CADPDF 170719

### Logistical Data

Product code	Product description	Packaging unit (Pieces/Unit)	Dimensions (length x width x height)	Volume	Gross weight
4052899600683	PL-DISC-G1 1100-830	Shipping carton box 80	261 mm x 196 mm x 112 mm	5.73 dm <sup>3</sup>	1719.00 g
4052899600690	PL-DISC-G1 1600-830	Shipping carton box 40	261 mm x 141 mm x 152 mm	5.59 dm <sup>3</sup>	1771.00 g
4052899600706	PL-DISC-G1 2500-830	Shipping carton box 40	261 mm x 181 mm x 192 mm	9.07 dm <sup>3</sup>	3251.00 g
4052899600713	PL-DISC-G1 1100-840	Shipping carton box 80	261 mm x 196 mm x 112 mm	5.73 dm <sup>3</sup>	1719.00 g
4052899600720	PL-DISC-G1 1600-840	Shipping carton box 40	261 mm x 141 mm x 152 mm	5.59 dm <sup>3</sup>	1771.00 g
4052899600737	PL-DISC-G1 2500-840	Shipping carton box 40	261 mm x 181 mm x 192 mm	9.07 dm <sup>3</sup>	3251.00 g
4052899600744	PL-DISC-G1 1100-927	Shipping carton box 80	261 mm x 196 mm x 112 mm	5.73 dm <sup>3</sup>	1719.00 g
4052899600751	PL-DISC-G1 1600-927	Shipping carton box 40	261 mm x 141 mm x 152 mm	5.59 dm <sup>3</sup>	1771.00 g
4052899600768	PL-DISC-G1 2500-927	Shipping carton box 40	261 mm x 181 mm x 192 mm	9.07 dm <sup>3</sup>	3251.00 g

The mentioned product code describes the smallest quantity unit which can be ordered. One shipping unit can contain one or more single products. When placing an order, for the quantity please enter single or multiples of a shipping unit.

### Disclaimer

Subject to change without notice. Errors and omission excepted. Always make sure to use the most recent release.